



# **EFFICIENT SUNSOL “SS” SERIES SUNSOL PUMPS**

## **INSTALLATION AND OPERATION MANUAL**

**SUNSOL ‘SS’ SERIES  
SS50F, SS75F, SS100F, SS125F**



**Reltech Australia Pty Ltd  
43-45 Kylta Rd  
West Heidelberg  
Vic 3081**

**Ph: (03) 9459 3838      Fax: (03) 9459 4038**  
[www.reltech.com.au](http://www.reltech.com.au)

## **Read these instructions before operating the pump.**

**Please pass these instructions on to the owner of this equipment.**

### **MODELS**

**SS50F, SS75F, SS100F, SS125F**

## **DANGER**

### **Hazardous suction.**

- Do not block water entry into filtration system with any part of your body as the pressure can trap hair or body parts, causing severe injury or death. Do not block suction. Turn off pump immediately if someone becomes trapped.

### **Careful Reminder**

- Small children using the pool or spa must ALWAYS have close adult supervision.
- For “Routine Maintenance” tasks to maximize the life of your pool equipment & personal safety use this checklist once a week. Turn pump off first.
- Make sure that any pressure gauges are in working condition and the operating pressure is within limits as specified on the product.
- Make sure that each suction inlet, and main drain has a cover that is securely attached and in safe working condition.
- Make sure that all skimmer covers are securely attached and in safe working condition. These should be replaced every 3 to 4 years.
- Remove any obstructions or debris from the main drain cover.
- Ensure the skimmer baskets and the pump hair and lint pots are free of leaves and debris at least once a week.
- Remove obstructions and combustibles from around the pump motor.
- Make sure all wiring connections are clean and that all wiring and electrical equipment is in good condition. Damaged wiring must be repaired or replaced by a qualified electrician as soon as damage is discovered.
- Do not add chemicals directly to the pool skimmer. Adding undiluted chemicals may damage pump, heater, etc and void warranty.
- Check water balance and sanitizer levels at your local pool shop.

## **WARNING!**

- Pump suction is hazardous and can trap, drown or disembowel bathers.
- Do not block suction.
- Do not use or operate swimming pools, spas or spa baths if a suction cover is broken, missing or loose.
- Two suction covers (500mm apart) and inlets must be provided into every pump to avoid suction entrapment.

## **CAUTION!**

- In the interest of safety, we advise that all brands and types of pool pumps must be installed in accordance with AS3000 wiring rules or equivalent
- If the pump and filter are located below pool water level, it is necessary to fit isolating valves in the pipe between the pump and the skimmer box and in the return pipe from the filter to the pool.
- The fittings on this product are constructed of ABS. Some PVC jointing compounds are incompatible with ABS. Check compound suitability before use.
- RELTECH recommends that all installations are fitted with earth leakage or residual current protection devices.
- Ensure that an electrical isolation switch is located with easy access so that the pump can be switched off in an emergency.

# **Read these instructions before operating the pump.**

**Please pass these instructions on to the owner of this equipment.**

## **INSTALLATION & OPERATING INSTRUCTIONS**

### **RELTECH'S SS SERIES SUNSOL PUMP**

Congratulations on your purchase of a quality product from the RELTECH range of Pool and Spa Equipment. You will be pleased with the many years of reliable and efficient performance from your RELTECH SS Series Sunsol pump backed by RELTECH'S two-year warranty.

RELTECH pool and spa pumps have been designed to circulate swimming pool and spa water in conditions set out in the Australian Standard for swimming pool water quality (AS 3633)

RELTECH design and build its own electric motors especially for its pumps. The matched motor and "pump end" are designed to provide the quietest operation while delivering maximum pressure and water flow.

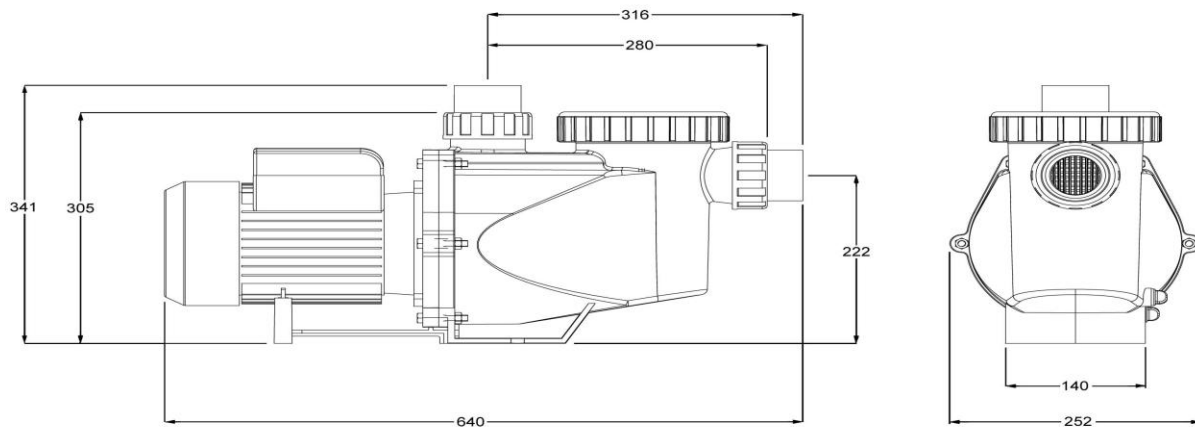
RELTECH'S totally enclosed fan-cooled motor incorporates "thermal cut-out" overload protection designed to protect the motor from overheating.

Every RELTECH SS Series Sunsol pump is thoroughly water tested against flow, pressure, voltage, current, and mechanical performance parameters. RELTECH'S advanced pump technology provides reliable and efficient performance that lasts.

### **FEATURES & BENEFITS**

- Powerful high performance pumping delivers optimum flow rates & rapid priming
- Efficient flow for pool water circulation.
- Computer-designed impeller and diffuser quickly corrects loss of water flow allowing a free flow of water offering whisper quiet, efficient performance
- Easy to remove, see through strainer lid for easy removal of leaves
- Extra large strainer basket allows long intervals between cleaning.
- Continuous duty rated motor with an enclosed fan cooled motor protects against dirt, dust and water for long life
- Built-in thermal overload protects the motor against damage from overheating
- Every unit is pressure and performance tested in factory ensuring quality and reliability
- High performance Silicon Carbide mechanical seal, fitted for long life in salt & fresh water
- 2m power lead with 10amp three-pin plug fitted
- Constructed of strong corrosion and U.V. resistant materials for long life
- On some models, built-in check valve reduces reverse flow of water through pump.
- Exceed electrical standards for installation in the specified pool zone
- A.B.S. quick connect couplings makes installation simple
- If required a drain plug enables pump casing to be drained for easy maintenance
- 2 Year Warranty – See warranty information for further details.

## Dimensions



## Installation and Operating Instructions

### Location

The pump should be located as close to the water as practicable and mounted on a firm base in a well drained position, high enough to prevent any flooding. It is the installer's/owners responsibility to locate the pump so that it can be accessed for service.

### Weather Protection

It is recommended that the pump be protected from the weather. Enclosures should be ventilated to allow a free flow of air for the fan cooled motor.

### Power Connection

RELTECH SS Series Sunsol pumps are suitable for connection to a nominal 240-volt 50Hz power supply. The motor is equipped with a flex and 3-pin plug. If a power outlet is not available within 2 meters of the pump, a 3-pin power point in a safe, dry place may need to be provided by an electrician.

#### Note:

- Pumps must be either
  - Supplied by an isolating transformer, or
  - Supplied through a residual current device (RCD) with a rated residual operating current not exceeding 30mA.
- Extension cords are unsafe around pools and must be avoided.
- If the supply cord of this product is damaged the dealer or manufacturer must replace it, with genuine RELTECH SS Series Sunsol pump spares.
- Water temperature is not to exceed 45 degrees

### Pipe Connection

A barrel union is provided for connecting to the piping from the pool.

The pumps are designed to accept the following PVC Pipes:

- Inlet PVC Position 40mm pipe ID 40mm ID or 50mm fitting OD 50mm fitting OD
- Outlet PVC Position 40mm pipe ID 40mm ID or 50mm fitting OD 50mm fitting OD

The use of pipe with a smaller ID than those specified above is not recommended.

Suction piping should be free from all air leaks and any humps and hollows, which may cause suction difficulties.

The outlet piping from the pump should be connected to the inlet connection on the swimming pool filter (at the filter valve).

## **OPERATION**

### **Starting the Pump**

To operate efficiently and to prevent damage to the pump there must be a free flow of water to and from the pump. Before starting ensure that:

- All pipe work is correctly sealed.
  - The pool/spa water level is at the correct height.
  - That all appropriate valves are open and there is nothing preventing the flow of water through the system.
1. First prime the pump by removing the strainer basket lid and filling the strainer basket area with water. Replace the lid, ensuring that it seals on the large o-ring.
  2. Connect to the power supply and switch on.
  3. Allow the pump to run, so that any air trapped in the pipe work and pump may be expelled.
  4. If prime is not established within approximately two minutes, as evidenced by a strong flow of water from the outlet, switch off the pump and repeat the procedure. Continued evidence of air under the hair and lint pot lid indicates an air leak in the suction piping work, which should be rectified to avoid pump damage.

### **Pump operation**

For optimum pump performance, the strainer basket housing should always be full of water and free from air bubbles. The water level of the pool should always be maintained to at least halfway up the skimmer box ensuring water is in the pump at all times. From time to time it may be necessary to re-prime the pump. This should be carried out as described above.

### **Limits**

Water temperature Max 45oC  
Ambient Temperature Max 55oC  
dBa @ 1 meter 64

### **Water Quality**

Maintaining balanced water chemistry is important to the life of your pool pump.

This pump is designed to be used with Pool & Spa water, balanced in accordance with Langlier Saturation Index, with a pH level of between 7.2 and 7.8 and is regularly treated with a chlorine sanitizing agent with the level not exceeding 300PPM.

Please consult your local pool shop regularly to have your water tested.

### **Emptying the hair and lint pot**

The hair and lint pot strainer basket should be inspected frequently through the transparent lid and emptied when a build up of rubbish is evident.

Follow the directions below.

1. Switch off pump.
2. Unscrew the hair and lint pot strainer basket lid anti-clockwise and remove.
3. Remove the hair and lint pot strainer basket by lifting upwards from its housing.
4. Empty the trapped refuse from the basket. Hose out with water if necessary.
5. Check the hair and lint pot strainer basket for cracks, replace the strainer basket in the pump if OK.
6. Replace the lid and ensure that it seals on the large rubber o-ring. **Firm hand tightness only is required.** The o-ring & thread can be lubricated with silicone grease.

## **If the pump does not operate, one of the following conditions may apply:**

- a. The power is not connected. For 240 volt only.
- b. Check the power point by plugging in a portable appliance to ensure power is available.
- c. Check fuses and the main power supply switch
- d. Automatic overload is tripped. The pump has an in-built thermal overload, which will re-set automatically after the motor has cooled following an overheating period. Determine the cause of the overload tripping and rectify.
- e. Blockage is preventing the pump from rotating.
- f. Motor is burnt out - burning smell is evident. Replacement is required.
- g. If you are unable to resolve any installation or operation difficulties with your RELTECH SS Series Sunsol pump, contact the supplier from whom the pump was purchased or you're nearest Authorized RELTECH pool and spa pump Pool Equipment Service Centre. If any further assistance is required, contact the RELTECH Customer Service Centre at the address indicated in this manual.

## **Trouble Shooting**

### **If the pump runs but there is no water flow or water flow is reduced, the following condition may apply:**

1. The filter requires backwashing or it is blocked.
2. The pump is not primed. (See 'Starting the pump')
3. There are air leaks in the suction piping. Check all piping and eliminate leaks, also check for a loose strainer basket lid. Air bubbles in the water flowing back to the pool would indicate a leak in the suction to the pump allowing air to infiltrate the pipe work.
4. The pump is not able to get water from the pool. Check that the valves to the pump are fully open and that the pool water level is up to the skimmer box.
5. A leaking pump seal may also prevent operating. Evidence of this would be water on the ground under the pump.
6. Blockage in the piping or pump. Remove the hair and lint pot strainer basket and check for any blockage to the pump impeller entry. Check the skimmer box for blockage.

## **Removal of the Pump from Pipe work**

To remove the pump, follow these instructions:

1. Switch off the power and remove the plug from the power source.
2. Close the water valves on the pool return and the pump inlet pipe work.
3. Remove the discharge & suction barrel unions taking care not to lose the o-rings.
4. Move the pipe work with the barrel unions attached until the pump can be moved clear.

### **NOTES:**

- If the pump is hard wired, a qualified electrician should remove the wiring.
- On some models the pump is fitted with an internal check valve to reduce reverse flow of water through the pump.
- Barrel unions need to be hand tightened. No sealant, glues or silicones are required.
- When making any enquiries about your RELTECH SS Series Sunsol pump be certain to quote the model number from the nameplate located on motor.
- Never run pump dry. Running the pump with no water may damage the mechanical seals, causing leakage and flooding. Dry running damage and associated damage is not covered under warranty.
- Failure to undertake regular maintenance may cause damage not covered by warranty.
- The pump is not intended for use by young children or infirm persons without supervision. Ensure that young children are supervised at all times to ensure that they do not play with the pump.

# RELTECH

## High Performance Pool & Spa Pump

### Limited Warranty

Your Reltech SunSol "SS" Series is covered by a limited two year warranty. Please refer below for details as follows:

- 2 year limited warranty against defects in workmanship and materials excluding obvious neglect, misuse, improper installation or improper maintenance from date of purchase.
- 2 year on motor, pump body and seal plate
- 1 year mechanical seal

This warranty is subject to the conditions and limitations herein after stated. You must notify Reltech of the failure of any component of your pool and spa pump and motor within 7 days of the recognised fault. Reltech will at its option, repair or replace any defective parts. Component failure must be due solely to a defect in materials or workmanship. This warranty does not apply if failure is due to any abuse, misuse, improper installation or accident or to any of the following:

- Improper chemical balance in the water,
- Incorrect power supply and/or connection
- Water damage from external sources,
- Cement, pebbles, render or other pool surface finish blocking the impeller,
- Use on non swimming pool or spa pool application, (salt water aquaculture).
- Running the pool and spa pump dry,
- Inadequate ventilation,
- Installed on uneven ground or in a sump area that collects significant water
- Addition of salt, chlorine and/or any other pool chemicals through skimmer or pump basket

To stand behind our commitment to provide warranty coverage, Reltech has established a network of authorized warranty agents throughout Australia. To obtain warranty service, contact our Service Department. If your request for warranty service is diagnosed to be non-warrantable, you will still be charged for a service call.

12 month in field labour warranty is applicable in some Capital City Metropolitan areas or within a 20 km radius of an Authorised Reltech Service Agent. A travel fee may be charged on all other areas.

Reltech shall have no liability for incidental or consequential damages. No person is authorized to make any representation or warranty on behalf of Reltech other than what is stated here.

#### **Commercial Installations**

On Commercial Installations, such as health clubs, swim schools, motels/hotels and hydrotherapy, parts and in field labour warranty (within capital city metropolitan areas or 20km radius of authorised service agents) is 12 months from the date of purchase plus 30 days to allow for installation and registration. Reltech assumes no liability for consequential damages of any kind.



**PLEASE NOTE:**

- This literature is not a complete guide to product usage. Further information is available from your RELTECH dealer, RELTECH Customer Service Centre and from the relevant product Installation and Operating Instructions.
- This data sheet must be read in conjunction with the relevant product Installation and Operating Instructions and all applicable statutory requirements. Product specifications may change without notice.

**COMMENTS / NOTES:**